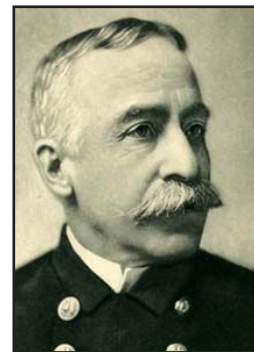
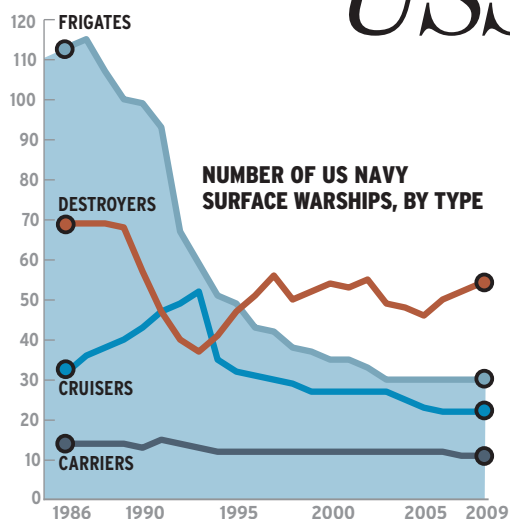


# USS Dewey enters service

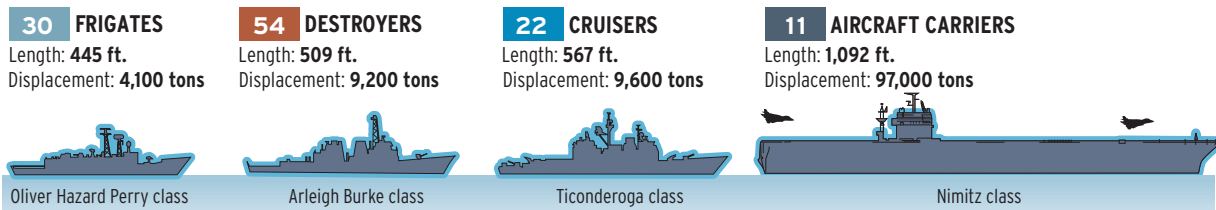


**SHIP'S NAMESAKE**  
Named after **George Dewey**, a 19th-century admiral best known for defeating the Spanish at the Battle of Manila Bay. This is the third warship named Dewey. The first (DD-349) survived the attack on Pearl Harbor and fought in the Battle of Midway. The second Dewey (DDG-45) entered service as a frigate in the late 1950s.



## RESHAPING THE FLEET

Surface warships in the US Navy have been reduced from 217 in 1986 to 117 in 2009. Frigates were deemed not capable enough to survive in modern warfare and that class is no longer being built. The only type of ship that has increased in number is the destroyer.

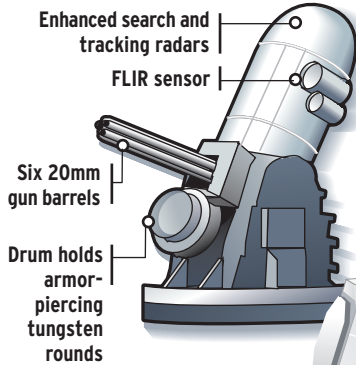


## Well-armed and with "The will to fight"

SHIP'S MOTO

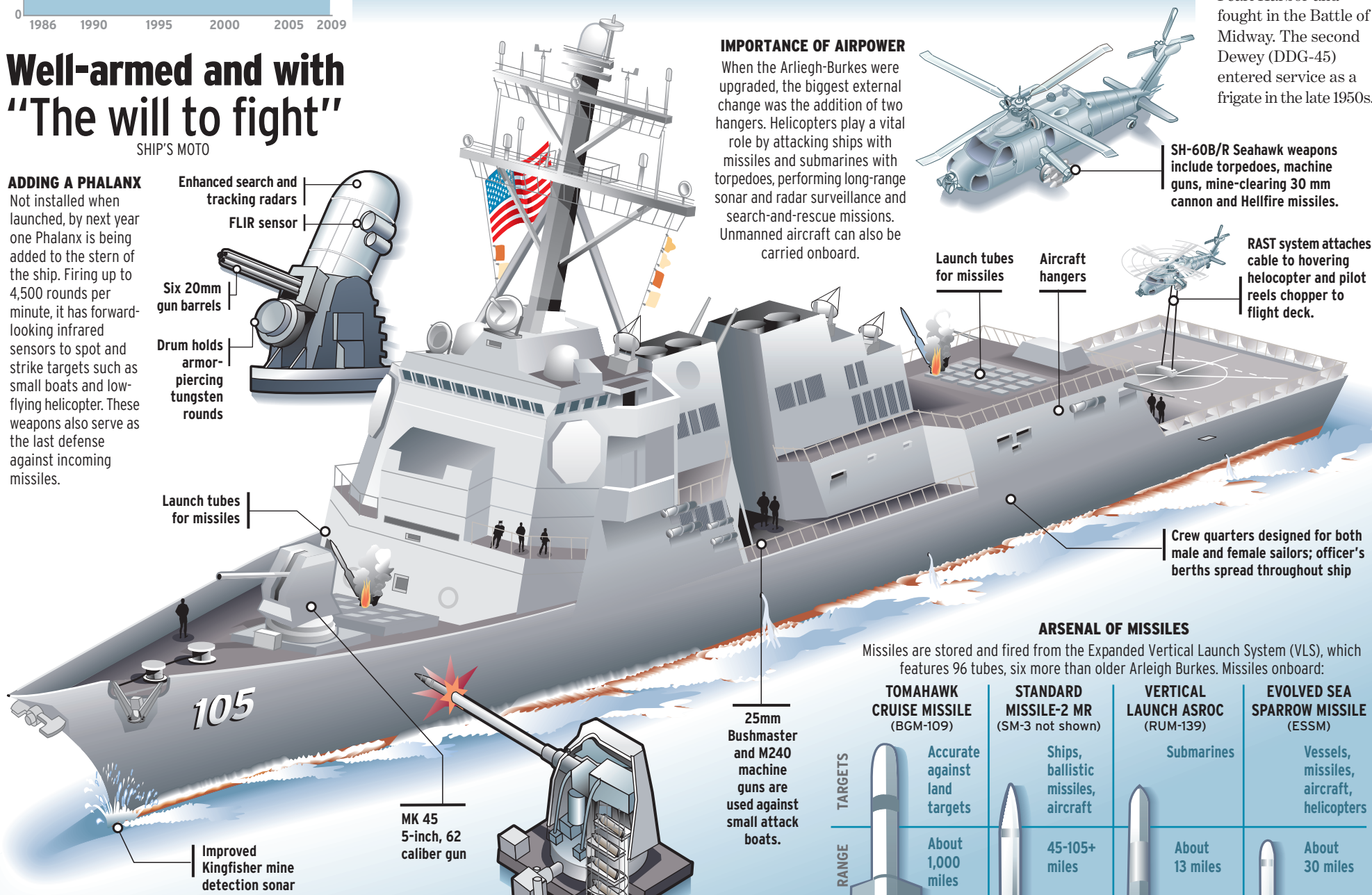
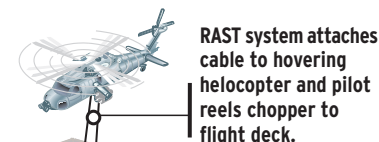
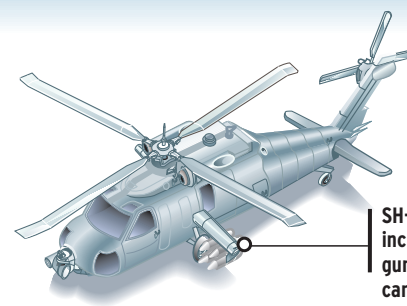
### ADDING A PHALANX

Not installed when launched, by next year one Phalanx is being added to the stern of the ship. Firing up to 4,500 rounds per minute, it has forward-looking infrared sensors to spot and strike targets such as small boats and low-flying helicopter. These weapons also serve as the last defense against incoming missiles.



### IMPORTANCE OF AIRPOWER

When the Arleigh-Burkes were upgraded, the biggest external change was the addition of two hangars. Helicopters play a vital role by attacking ships with missiles and submarines with torpedoes, performing long-range sonar and radar surveillance and search-and-rescue missions. Unmanned aircraft can also be carried onboard.



### ARSENAL OF MISSILES

Missiles are stored and fired from the Expanded Vertical Launch System (VLS), which features 96 tubes, six more than older Arleigh Burkes. Missiles onboard:

	TOMAHAWK CRUISE MISSILE (BGM-109)	STANDARD MISSILE-2 MR (SM-3 not shown)	VERTICAL LAUNCH ASROC (RUM-139)	EVOLVED SEA SPARROW MISSILE (ESSM)
TARGETS	Accurate against land targets	Ships, ballistic missiles, aircraft	Submarines	Vessels, missiles, aircraft, helicopters
RANGE	About 1,000 miles	45-105+ miles	About 13 miles	About 30 miles
COST	About \$550,000	About \$450,000	About \$850,000	About \$800,000
SIZE	18.3' long 2,900 lbs.	15' long 1,380 lbs.	15' long 1,409 lbs.	12' long 620 lbs.

### CREW PROFILE

235 MALE CREW	35 MALE OFFICERS	Average age of crew:	Maximum daily water allowed each sailor:
42 FEMALE CREW	3 FEMALE OFFICERS	25 years old	25 gallons
277 Total crew	37 Total officers		

### 5-INCH DECK GUN

The shell has a range of 8-10 miles, but a program cancelled in 2008 would have equipped it with a rocket-propelled shell with a range up to 70 miles. The Navy is still looking at ways to extend the munition's range.